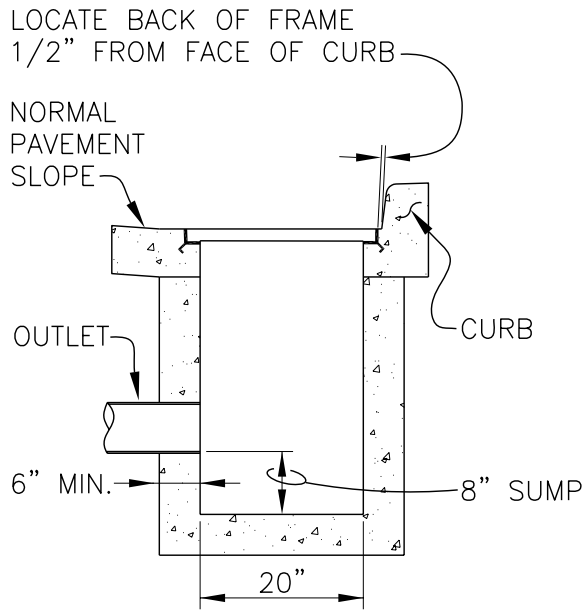


PLAN VIEW

NOTES:

1. MATERIAL - 3500 PSI CONCRETE AT 28 DAYS.
2. PRECAST INLETS MUST BE REVIEWED AND APPROVED BY PUBLIC WORKS PRIOR TO INSTALLATION.
3. CAST IN PLACE SHALL BE CONSTRUCTED AT THE MINIMUM DIMENSIONS SHOWN.
4. INLET'S SHALL BE HIGHER THAN OUTLET



SECTION A

WOODBURN
 O R E G O N
 Incorporated 1889
 PUBLIC WORKS DEPARTMENT
 ENGINEERING DIVISION

INLET

REV: DEC. 2007

SCALE: NTS

DET No.

7100-4