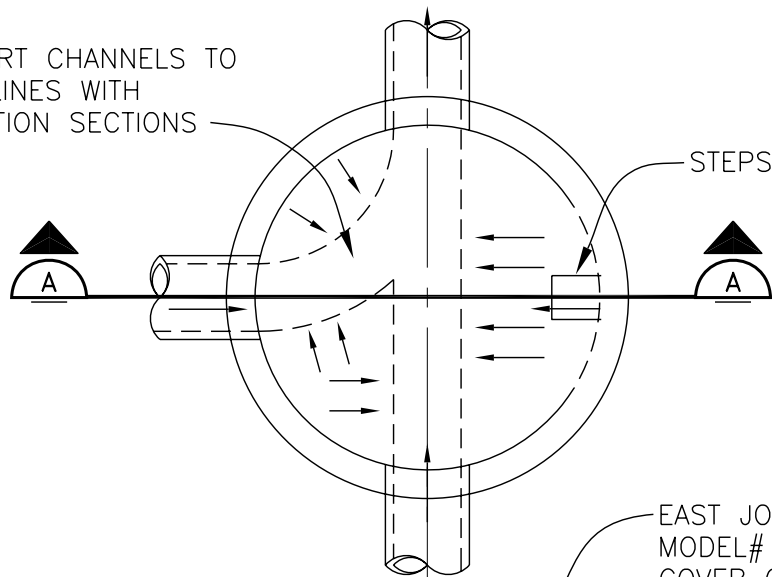


CONSTRUCT INVERT CHANNELS TO
UNIFORM FLOW LINES WITH
GRADUAL TRANSITION SECTIONS



EAST JORDAN IRON WORKS
MODEL# 2600 FRAME & 2603
COVER OR APPROVED EQUAL.

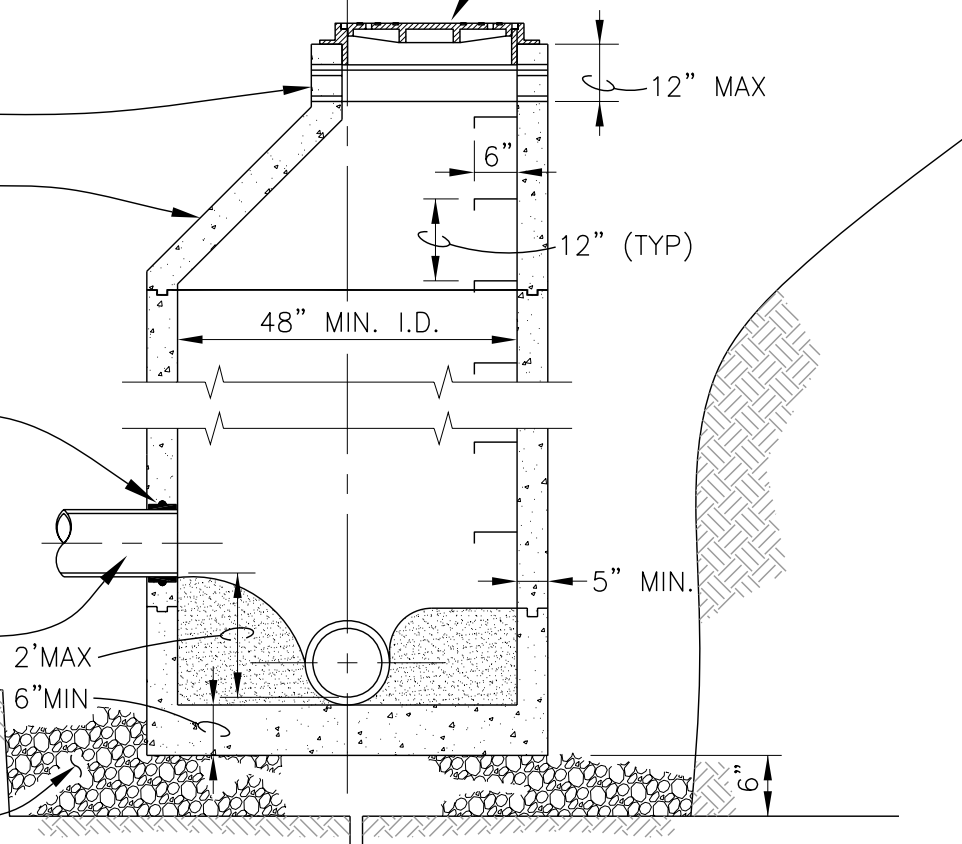
SEE NOTE 1

ECCENTRIC MH TOP

FERNCO CMA OR
APPROVED EQUAL.

EXTEND PIPE INTO MH
& GROUT SMOOTH

1" - MINUS
CRUSHED
AGGREGATE



SECTION A

NOTES:

1. MANHOLE JOINTS: CONCRETE EXTENSION RING SHALL BE SEALED WATERTIGHT. REFERENCE TECHNICAL SPEC. SECTION 6510.

WOODBURN
OREGON
Incorporated 1889
PUBLIC WORKS DEPARTMENT
ENGINEERING DIVISION

**SANITARY
SEWER
MANHOLE**

REV: DEC. 2007

SCALE: NTS

DET No.

6510-3