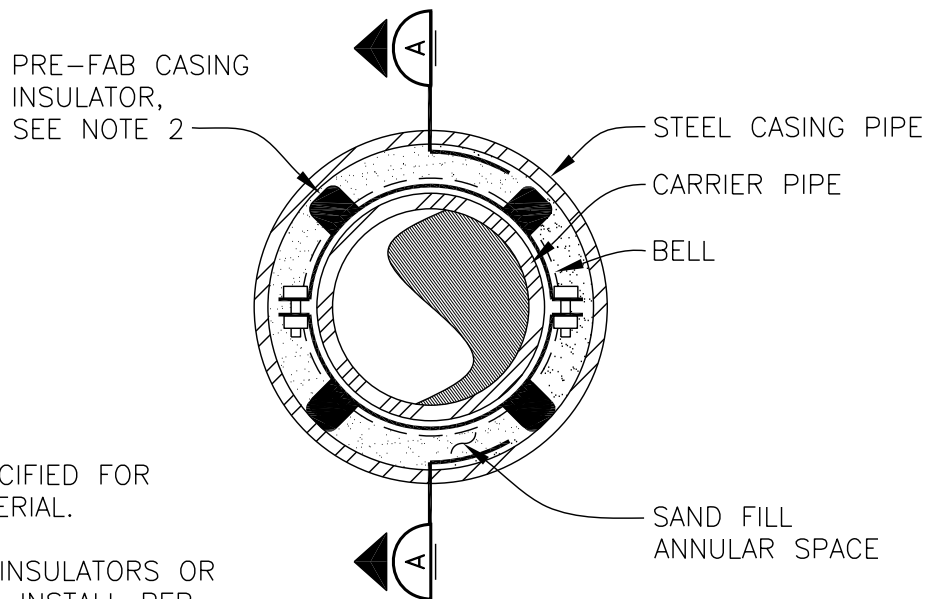


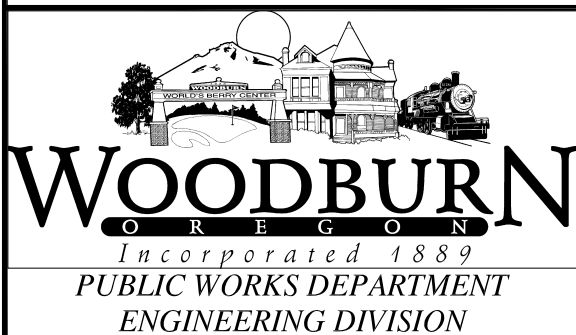
SECTION A



SECTION B

NOTES:

1. CARRIER PIPE AS SPECIFIED FOR SIZE, CLASS AND MATERIAL.
2. USE CALPICO CASING INSULATORS OR APPROVED EQUAL AND INSTALL PER MANUFACTURER'S SPECIFICATION.
3. REFERENCE TECHNICAL SPEC. SECTION 3820.



**BORE CASING &  
CARRIER PIPE**

REV: DEC. 2007

SCALE: NTS

DET No.

**3820-1**